

### FITRE S.p.A. • Divisione DSI

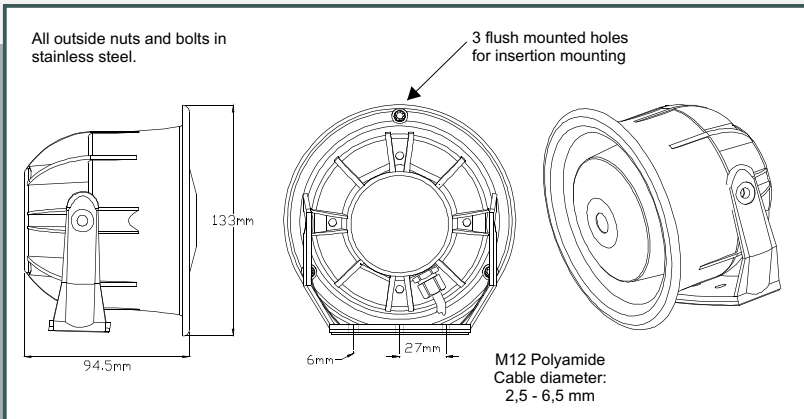
20142 Milano • Italia • via Valsolda, 15  
 telefono: (+39) 02.8959.01 • telefax: (+39) 02.8959.0400  
 e-mail: [divisione.dsi@fitre.it](mailto:divisione.dsi@fitre.it)

### Installation, Operation and Maintenance Procedures

- For insertion mounting punch three screws through knockout holes. Fasten bracket with 2-3 screws.
- The cable should be terminated in a suitable junction box.
- To change the position of the loudspeaker please adjust the bracket (by loosening / tightening the screws) as required.
- For optimum performance, always use the correct voltage / power and operate within the frequency limits as stated.
- This loudspeaker is supplied with a 2 year warranty against defective workmanship.



I dati riportati in questa pubblicazione non sono impegnativi e possono venire modificati senza preavviso. The information contained in this publication are not binding and are subject to change without notice.



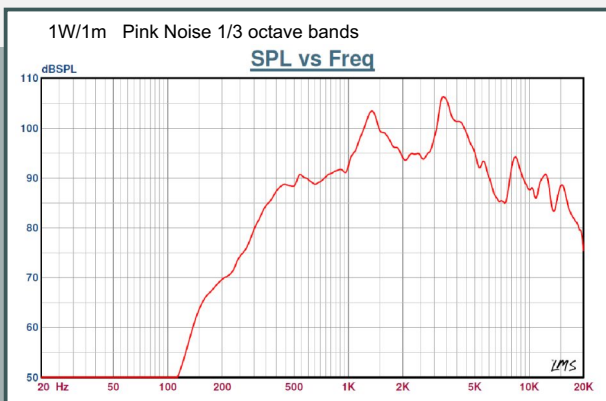
Most of our products are available in different colors, impedances and power ratings.

Transformer:  
100 Volt line

Primary nominal tapings:

1 : 2	8,0 W
2 : 3	4,0 W
3 : 4	2,0 W
1 : 3	1,5 W
2 : 4	0,7 W
1 : 4	0,4 W

1 = red, 2= yellow, 3= green, 4= blue



Material / Colour .....	Polyamide / RAL 7035
Mounting .....	Bracket or insertion
Termination .....	0,5 m cable
Weight .....	0,75 kg
IP-rating .....	67
Max. / min. amb. temp .....	150 °C / -50 °C
Version without transformer (AP820) .....	8 ohm
Version with transformer (AP820T) .....	100 V
Rated / max. power .....	8 W / 15 W
SPL 1W/1m .....	101 dB
SPL rated power .....	110 dB
Effective freq. range .....	300 ÷ 20.000 Hz