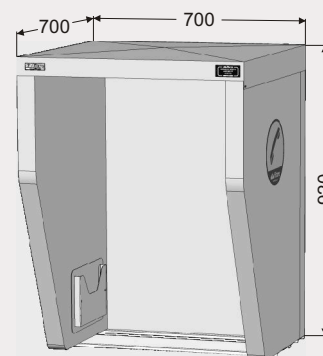
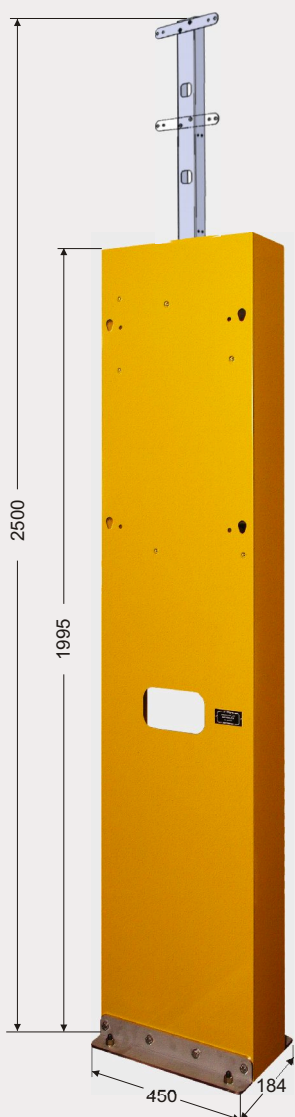


FITRE S.p.A. • Divisione DSI

20142 Milano • Italia • via Valsolda, 15
 telefono: (+39) 02.8959.01 • telefax: (+39) 02.8959.0400
 e-mail: divisione.dsi@fitre.it

Acoustic booth

- ▶ Designed for installing telephones, intercom stations, talk-backs, emergency fire telephones. The unit offers an excellent degree of attenuation of the field ambient noise.
- ▶ Ergonomically designed, the unit allows to the user a relievable operation, offering enough space around the station installed inside.
- ▶ Made in AISI304 stainless steel, painted in yellow colour RAL1021, with rock wool noise absorbing material for indoor/outdoor installation -25dB attenuation.
- ▶ The AGX92/F acoustic booth is equipped with a proper drilled metal plate with easy access for a rapid fixing of Fitre telephone sets.
- ▶ The acoustic booth is designed for wall or BPX70 pillar installation.



Booth pillar

- Standard height 1995mm
- BPX70-92: galvanized steel painted gray colour RAL7031
- BPX70-92/F: AISI304 stainless steel painted yellow colour RAL1021
- Concrete base
- kit to fix the acoustic booth AG/F and AGX92/F

Optional accessories

- Pillar extender to 2500mm with mounting brackets for luminous/acoustical telephone ringin beacon or loudspeaker
- explosion-proof switches telephone line

Description	Type	Code
Acoustic booth stainless steel INOX AISI 304, yellow color RAL1021	AGX92/F	5617166
Booth pillar 1995 mm heigh, galvanized steel, grey color RAL7031	BPX70-92	5617163
Booth pillar 1995 mm heigh, stainless steel INOX AISI 304, yellow color RAL1021	BPX70-92/F	5617161
Extension bar 2500 mm stainless steel INOX AISI 304, for signalling device R140 and TWIN		5617180