

HP15(T)

IP56 Weatherproof
15W loudspeaker

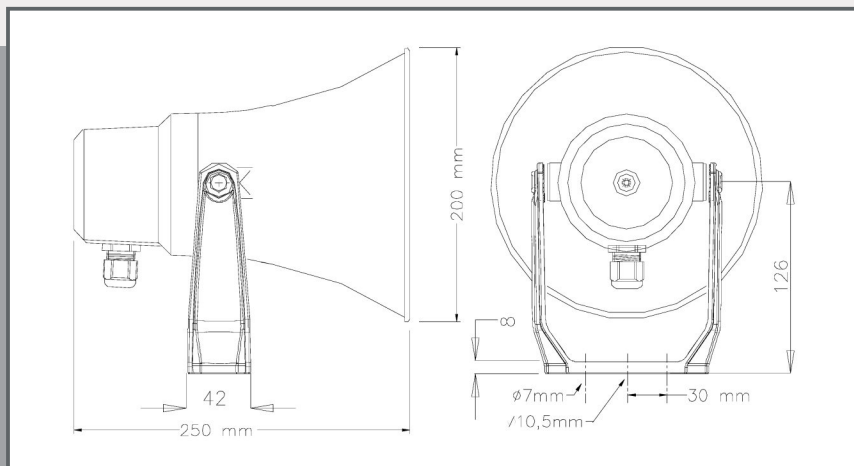
FITRE S.p.A. • Divisione DSI

20142 Milano • Italia • via Valsolda, 15
telefono: (+39) 02.8959.01 • telefax: (+39) 02.8959.0400
e-mail: divisione.dsi@fitre.it

AC8471/1001

Installation, Operation and Maintenance Procedures

- When mounting the loudspeaker please ensure that it is re-assembled in the same manner in which it was received. Fasten the bracket with 1-3 screws and ensure to use all washers in the intended position to assure the IP rating.
- To change the position of the loudspeaker please adjust the bracket (by loosening / tightening the screws) as required.
- For optimum performance, always use the correct voltage / power and operate within the frequency limits as stated.
- Do not open loudspeaker when energized.
- Fasten lid with a torque of 1 - 2 Nm.



70/100 volt Combined Transformer:

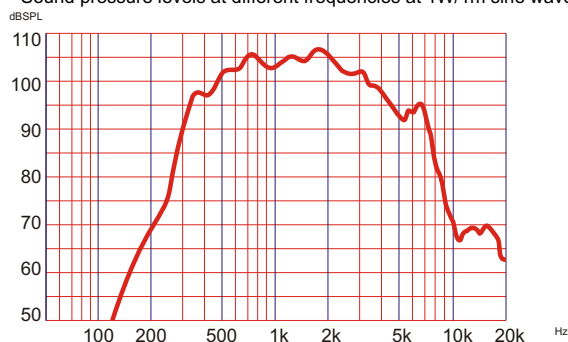
Primary connections:

5 : 7 70 Volt line
5 : 8 100 Volt line

Secondary nominal tapings:

C : 4 15,0 W
C : 3 7,5 W
C : 2 4,0 W
C : 1 2,0 W

Sound pressure levels at different frequencies at 1W/1m sine wave



Material / Colour ASA / RAL 7035
Mounting Bracket
Termination Inside screw connections
Weight 1,7kg
IP-rating 56
Max. / min. amb. temp 90°C / -50°C
Impedance (Without transformer version HP15) 16ohm
Transformer version HP15T 70V / 100V line
Rated / max. power 15W / 20W
SPL 1W/1m 108dB
SPL rated power 118 dB
Effective freq. range 330 ÷ 8000Hz
Dispersion (-6dB) 1kHz / 4kHz 130° / 35°
Directivity factor, Q(2kHz) 8,3