

# FHP20(T)

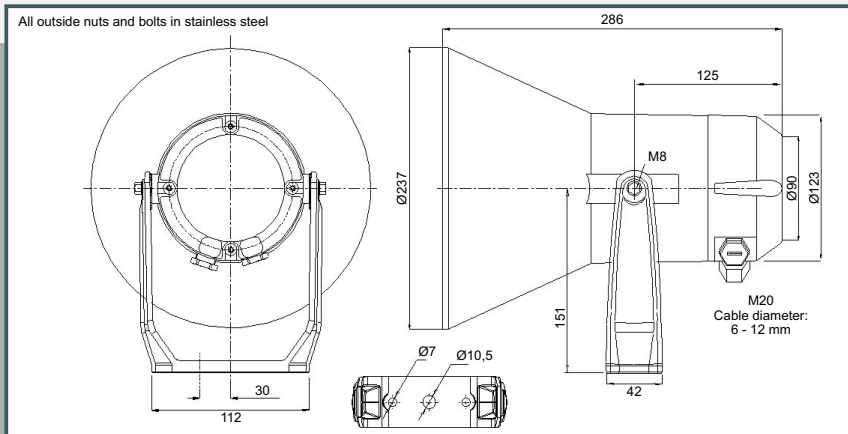
IP67 Weather-proof  
 20W loudspeaker

AC4901/1304

## Installation, Operation and Maintenance Procedures

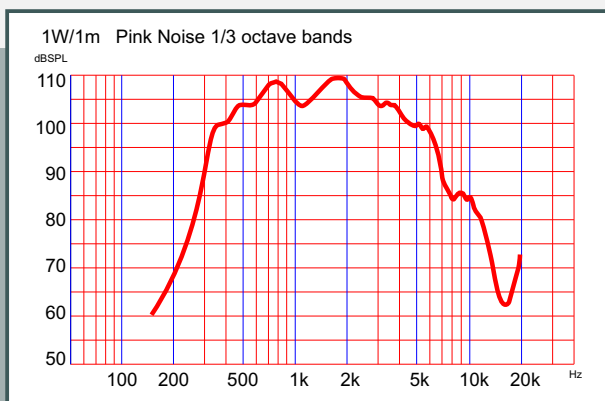
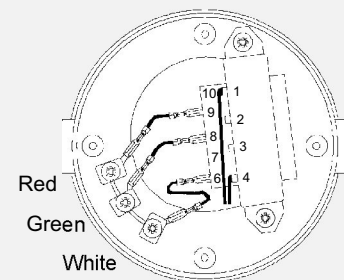
- Unscrew lid (4 screws). Lead cable through cable gland and connect to screw terminal.
- Tapp transformer to wanted power. Tighten cable gland to ensure IP-grade.
- Fasten lid with a torque of 2-3 Nm.
- Fasten bracket with 1-3 screws.
- To change the position of the loudspeaker, please adjust the bracket (by loosening / tightening the screws) as required.
- For optimum performance, always use the correct voltage and power and operate within the frequency limits as stated.
- Do not open loudspeaker when energized.

Most of our products are available in different colors, impedances and power ratings.



Primary connections	
6 (white) / 8 (green)	70 V
6 (white) / 9 (red)	100V

Secondary switch tapings	1/4	1/3	1/2	2/4	2/3
	20W	15W	7,5W	3,5W	2W



Material / Colour .....Polyamide / RAL7035  
 Mounting .....Bracket  
 Termination .....Internal screw connections  
 Weight.....2,1kg  
 IP-rating.....67  
 Max. / min. amb. temp.....150°C / -50°C  
 Impedance (HP20 version without transformer) .....16 ohm  
 Transformer (HP20T version) .....70V / 100V line  
 Rated / max. power .....20W / 25W  
 SPL 1W/1m .....110dB  
 SPL rated power .....122dB  
 Effective freq. range.....310Hz + 8000Hz  
 Dispersion (-6dB) 1kHz / 4kHz .....115° / 30°  
 Directivity factor, Q (2kHz).....9,3

Description	type	code
Loudspeaker 20W polyamide bracket	FHP20	7327274
Loudspeaker w/transf. 20W polyamide bracket	FHP20T	7327358
Loudspeaker w/transf. 20W steel bracket	FHP20T	7327275