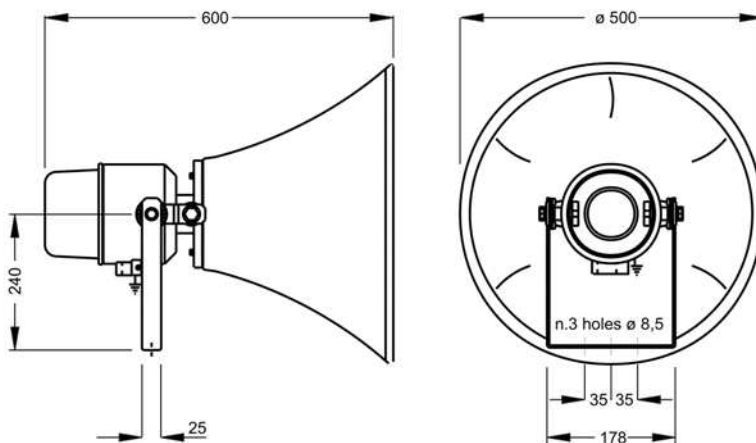


Amplified Loudspeakers

EXPLOSION-PROOF
P/N 7327416

Explosion-proof horn loudspeaker

- IP66 protection
- with built-in 25W amplifier
- Dual supply voltage 24-48VDC
- ATEX IIC T3 certified


WALL MOUNTING
IP66
- 40°C to + 60°C
ATEX


dimensions mm (W x H x D) $\varnothing 500,0 \times 600,0$ weight 7,0 kg

