

# TAS360 VoIP-Ex 7K - 2L - MX1

Explosion-proof  
VoIP Hands-Free Intercom Station  
ATEX certified Zone 1

**FITRE S.p.A. • Divisione DSI**

20142 Milano • Italia • via Valsolda, 15  
telefono: (+39) 02.8959.01 • telefax: (+39) 02.8959.0400  
e-mail: [divisione.dsi@fitre.it](mailto:divisione.dsi@fitre.it)

Based on more than 10 years of strong experience in designing and manufacturing weather-proof VoIP Telephone and Intercom Stations, FITRE SpA is offering a new range of advanced EXPLOSION-PROOF VoIP Telephone and Intercom Stations, ATEX certified for Zone 1, either with handset either hands-free, fully suitable for the Oil & Gas world.

The **TAS360 VoIP-Ex 7K-2L-MX1** is a digital hands free Intercom Station managed by **ASTRO System Manager**, a FITRE powerful digital central unit expressly designed for handling **Intercom, Page & Talk** and **PAGA** functions. In addition to stations with **VOICE** functions only, in the FITRE range there are also stations equipped with integrated built-in **ALARM** keys.

The **TAS360 VoIP-Ex 7K-2L-MX1** owns very important features allowing its use even in the hardest and noisiest environments:

- very sturdy light alloy casting "copper-free" to ensure high protection against corrosive agents also in oil and chemical plants.
- IP66 protection degree.
- metal vandal-proof push-button keys.
- exclusive HW & SW ambient noise digital cancellation, suitable to allow a perfect voice communication between the users of this equipment.
- opto-coupled ON/OFF output for activating external signalling devices, like acoustical ringers and/or visual beacons.
- integrated loudspeaker volume control, easily carried out by **Vol+** and **Vol-** push-button keys.
- integrated analog audio output suitable for driving external amplified loudspeakers (e.g. FITRE - XP13/24-48V) in order of adding power to the intercom function.

The **TAS360 VoIP-Ex 7K-2L-MX1** is equipped by:

**VOICE section**

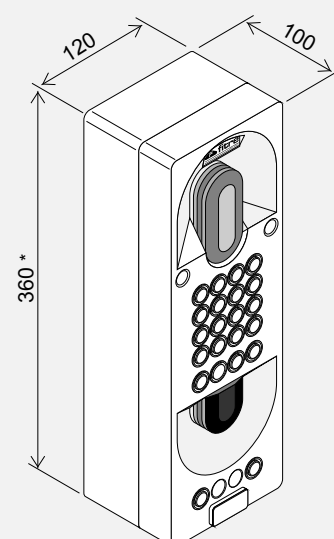
- 1 **Line ON/OFF** push-button.
- 1 **LED** showing the **Line ON**.
- 1 **General Page** push-button.
- 2 push-buttons **Vol+** and **Vol-** for volume control.

**ALARM section**

- 1 **Alarm activation** push-button.
- 1 **LED** showing the **Alarm ON**.
- 1 **Alarm test** push-button.
- 1 **Alarm cancellation** push-button.

**TECHNICAL FEATURES**

<b>Required supply</b> .....	24 to 48 VDC - 2,2 W
<b>Auxiliary Audio output</b> .....	0 dB (0,707 Vrms)
<b>Auxiliary Opto output</b> .....	24 to 48 VDC - 10 mA
<b>Ring signal volume</b> .....	94dB @ 1m
<b>Ethernet connection</b> .....	1×10 Mb (IEEE 802.3af Power Over Ethernet)
<b>Environment Relative Humidity</b> .....	20 to 98% non-condensing
<b>Degree Protection (IEC60529)</b> .....	IP66
<b>ATEX Marking</b> .....	II 2G Ex e mb ib IIC T6, T5 Gb II 2D Ex tb IIIC T85°C, T100°C Db IP66
<b>Temperature class</b> .....	T6 with Tamb. -40°C / +40°C T5 with Tamb. -40°C / +55°C
<b>EC-type Examination Certificate</b> .....	IMQ13 ATEX 008
<b>Certificate of Conformity</b> .....	IECEX IMQ 13.0009X
<b>Case</b> .....	Weatherproof "copper-free" aluminium alloy
<b>Colour</b> .....	Yellow RAL1021/Black RAL9005
<b>Dimensions (H×L×D)</b> .....	360 × 120 × 100 mm
<b>Weight</b> .....	3.8 kg



\* without cable glands

I dati riportati in questa pubblicazione non sono impegnativi e possono venire modificati senza preavviso. The information contained in this publication are not binding and are subject to change without notice.

DS TAS360 VoIP 7K EN - Rev.1810