

# FHP30(T)

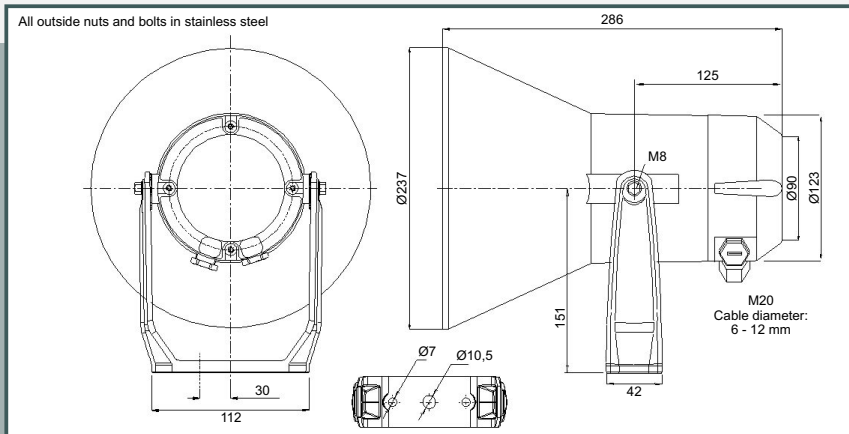
IP67 Weather-proof  
 30W loudspeaker

AC4902/1304

## Installation, Operation and Maintenance Procedures

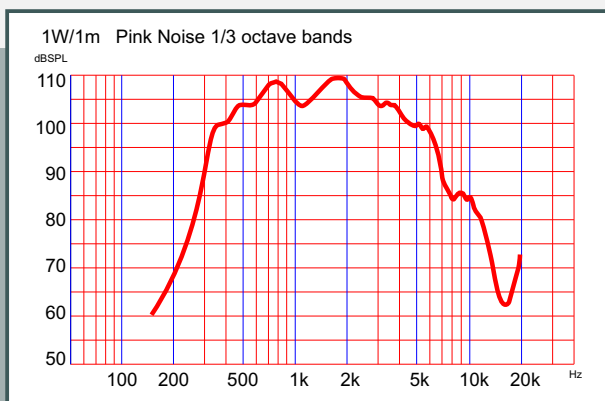
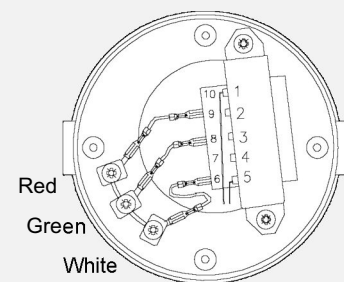
- Unscrew lid (4 screws). Lead cable through cable gland and connect to screw terminal.
- Tapp transformer to wanted power. Tighten cable gland to ensure IP-grade.
- Fasten lid with a torque of 2-3 Nm.
- Fasten bracket with 1-3 screws.
- To change the position of the loudspeaker, please adjust the bracket (by loosening / tightening the screws) as required.
- For optimum performance, always use the correct voltage / power and operate within the frequency limits as stated.
- Do not open loudspeaker when energized.
- This loudspeaker is supplied with a 2 year warranty against defective materials and workmanship.

Most of our products are available in different colors, impedances and power ratings.



Primary connections	
6 (white) / 8 (green)	70 V
6 (white) / 9 (red)	100V

Secondary switch tappings	1/5	1/4	1/3	1/2	2/4	2/3
	30W	20W	15W	7,5W	3,5W	2,0W



Material / Colour ..... Polyamide / RAL7035  
 Mounting Bracket  
 Termination ..... Internal screw connections  
 Weight ..... 2,1kg  
 IP-rating ..... 67  
 Max. / min. amb. temp. .... 150°C / -50°C  
 Impedance (HP30 version without transformer) ..... 16 ohm  
 Transformer (HP30T version) ..... 70V / 100V line  
 Rated / max. power ..... 30W / 40W  
 SPL 1W/1m ..... 110dB  
 SPL rated power ..... 124dB  
 Effective freq. range ..... 310Hz to 8000Hz  
 Dispersion (-6dB) 1kHz / 4kHz ..... 115° / 30°  
 Directivity factor, Q (2kHz) ..... 9,3

Description	type	code
Loudspeaker w/transf. 30W polyamide bracket.....	FHP30T	7327910