



FITRE S.p.A. • Divisione DSI

20142 Milano • Italia • via Valsolda, 15
telefono: (+39) 02.8959.01 • telefax: (+39) 02.8959.0400
e-mail: divisione.dsi@fitre.it

NEW IF2000 Intercom system

Fitre has designed and manufactured a new series of own valued bestseller IF2000 Industrial Intercom System.

The system has been upgraded by using electronics components of new technology assuring technical improvement.

The components of the new IF2000 Intercom system are perfectly compatible with the existing ones, both for mechanical aspect and for connection cables.

The IF2000 intercom system makes full use of the long experience of FITRE in advanced intercom communications systems in industrial, non-industrial and military environments.

Its function is to meet the strongly felt requirement of industrial users for equipment specifically designed for use in the most difficult environments harassed with noise, dust and humidity and to provide fullest functionality, simplicity in use and extendibility.

The features and applications of the IF2000 meet in particular the specifications for intercom systems in power plants and at the same time the various specific requirements of installations in the steel and petrochemical industry.

The benefit of the new IF2000 Intercom system are the followings:

- Intercom exchange equipped with controller unit to make more easy the configuration of the system according to the customer requirement.
- Analogue/digital interfaces for audio signal management and connection with analogue and digital VoIP systems (PAGA, PABX and so on)
- Configuration of each intercom station more easy according to the party and paging lines required from the customer
- High efficiency 25W class "D" amplifier inside each intercom station for connection up to 2 loudspeakers 8 ohm
- Powering from 24Vdc to 48Vdc through high efficiency power supply with or without backup batteries
- Digital interface for beacons management for very noise plant areas
- Digital interface for alarms input and relay outputs for diagnostics
- Simplified internal cabling
- Other features as already described in the IF2000 Intercom System brochure

The FITRE IF2000 intercom is a LOOP system and provides:

- calling the person sought or broadcasting messages through one or more loudspeaker systems from any intercom station
- communication between two or more users on one of the available intercom lines.

During a call on a loudspeaker system, if the calling operator wishes to communicate with another operator he asks him to go to the nearest intercom station and connecting to the chosen intercom communication line.

The IF2000 can be equipped with up to 8 lines which, depending on requirements, can be dedicated either for loudspeaker calls or intercom connections.

DECENTRALISED AMPLIFICATION:

each unit is completely self-sufficient and equipped with a local preamplifier while the power amplifier can be installed in the unit or directly in the loudspeakers.

Decentralised amplification brings numerous advantages including in particular:

- the addition at will of new stations or new calling loud-speakers with no change to the existing network
- individual volume adjustment to adapt to the peculiar conditions of each environment
- the use for audio connections of normal, small diameter telephone cables (0.6 mm ÷ 0.9 mm)
- failure of one loudspeaker does not affect the operation of the entire system.

POWER SUPPLY:

48V Direct Current. If only alternating current is available, a centralised power supply is provided. There can also be provided multiple local

NEW IF2000 INDUSTRIAL INTERCOM SYSTEM

THE UPGRADED AND EXPANDABLE VERSION
OF THE FAMOUS INTERCOM SYSTEM
IN USE SINCE MORE THAN THIRTY YEARS

The new IF2000 Intercom system allows to expand any IF2000 existing system simply starting from the existing cables network.

The new IF2000 Intercom system is also intended to be applied in ex novo installation, to be able to sustain a duration of over 30 years, as the previous series.

power supplies which avoid running large-diameter power supply cables. 48V d.c. power meets safety standards for low-voltage equipment.

CONFIGURATION WITHOUT EXCHANGE:

An IF2000 system can be installed merely by connecting the intercom stations and loudspeakers together directly.

CONFIGURATION WITH EXCHANGE:

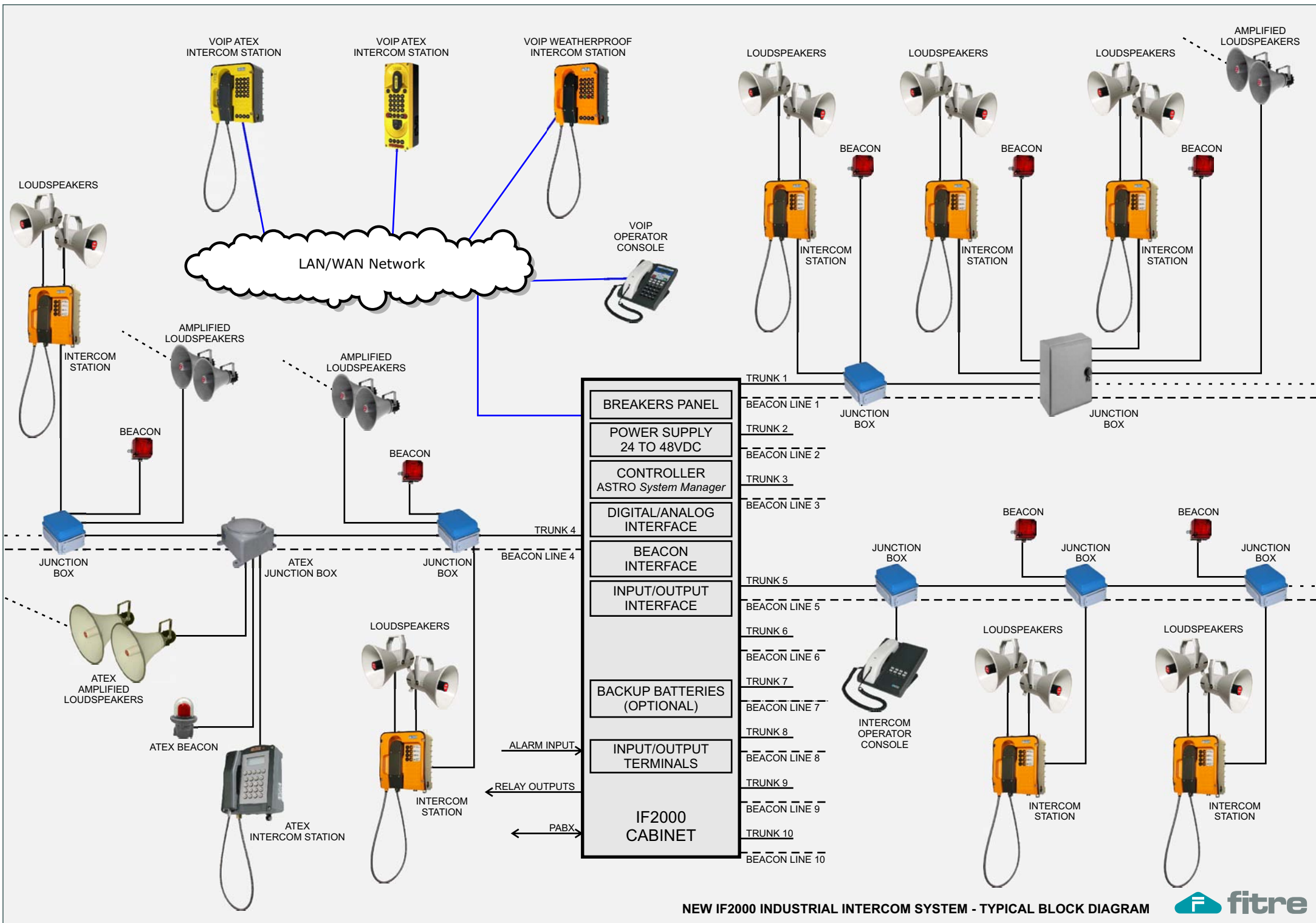
In other cases, as for use e.g. in electric power plants, an exchange with the following basic functions can be provided:

- POWER SUPPLY
- PROTECTION DISTRIBUTION

Optional Functions:

- generation of special signals with priority (start or end of work, alarms)
- "night" or "machines stopped" attenuation
- interconnection if desired with a proper telephone line, with the PABX internal telephone system for making a paging call from a common telephone through the sound broadcasting system of the intercom system
- system testing by means of an intercom station incorporated in the exchange
- interfaceable with other existing intercom systems.

Series IF2000 intercoms are available in the following models:
WATERPROOF INDOOR & OUTDOOR WALL UNITS
DESKTOP UNITS
FLUSH-MOUNTED UNITS
EXPLOSION-PROOF UNITS



NEW IF2000 INDUSTRIAL INTERCOM SYSTEM - TYPICAL BLOCK DIAGRAM

