

# TAS360-VOX

analog telephones series  
full-duplex hands-free  
IP66 weatherproof protection

**FITRE S.p.A. • Divisione DSI**

20142 Milano • Italia • via Valsolda, 15  
telefono: (+39) 02.8959.01 • telefax: (+39) 02.8959.0400  
e-mail: [divisione.dsi@fitre.it](mailto:divisione.dsi@fitre.it)

- ▶ **Hands-free full-duplex telephone set**
  - ▶ **IP66 Weatherproof telephone set**
  - ▶ **Vandal proof housing and keypad**
  - ▶ **Casing weatherproof cast alloy AL "copper free"**
  - ▶ **Particularly suited for industrial and military and for emergency or rescue calls**
  - ▶ **Possibility to call, pressing a single key, one or cyclically more stored numbers**
  - ▶ **Programmable both locally or by remote connection**
- "R" key of recalling ("Flash")
  - "RP" key for the repetition of the last selected number
  - "ON" key for switching on the telephone
  - "X" key disengaging line for closing the conversation
  - (M1-M4) 4 memory keys
  - "VOL-" and "VOL+" for the regulation of the reception volume
  - "C" key for dialling the activation codes of relays
  - LED signalling of engaged telephone line
  - possibility of disabling the telephone keypad, leaving only the active memory keys, function unlocked by authorized personnel using secret code ("Digital code" option)



TAS360-VOX 12T+4MT (12 Keys + 4 Memories)

Some of the variants available, on request can be evaluated solutions for specific



TAS360-VOX-1M/ST  
(1 Memory)

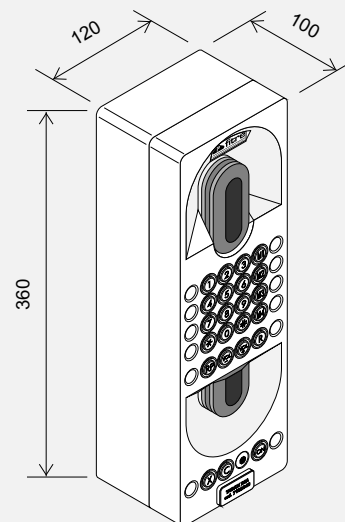
TAS360-VOX-4M/ST  
(4 Memories)

TAS360-VOX-4M/ST-FM  
(4 Memories)  
Flush mounting.

TAS360-VOX-1M SOS  
(1 Memory)

## TECHNICAL CHARACTERISTICS

Selection: .....DTMF or pulse  
Working temperature:.....from -20°C to +70°C  
Casing: .....weatherproof cast alloy AL "copper free"  
Protection degree:.....IP66 (IEC144)  
Colour: .....RAL2000 orange / black  
Weight: .....3,8 kg  
Dimensions (enclosing the cable gland): .....388 x 120 x 100 mm  
Designed according to the European norms:.....TBR38 and EN301.437



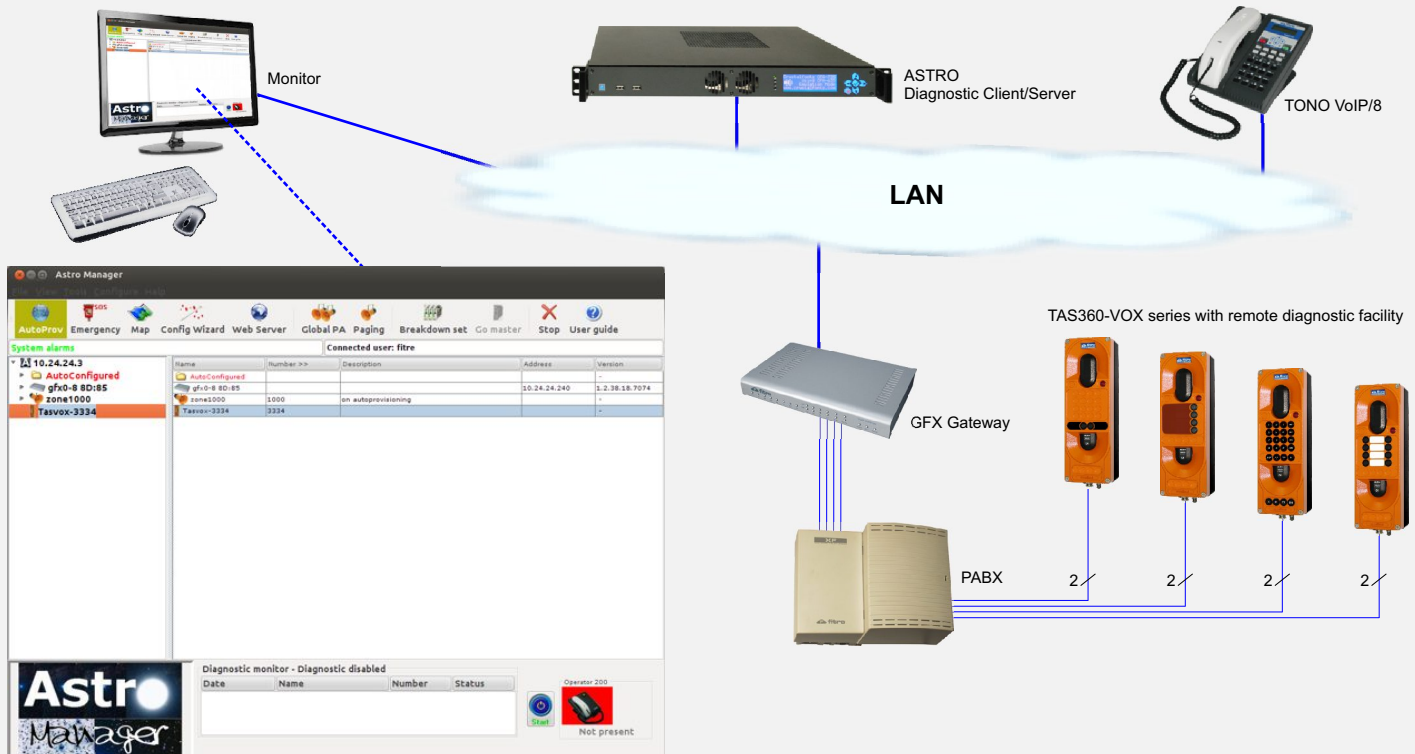
The TAS360-VOX\_M. telephone / intercom set is also available with 1 or 2 or 4 or 8 direct call buttons as well with standard telephone keypad. All models support the remote diagnostic facility.



### Additional functions (options)

- Relay electronic card in order to perform the remote opening of a door or for activating a light signalling device.
- Amplifier booster for increasing the output volume on the integrated loudspeaker as well for connecting an external loudspeaker. The additional booster amplifier requires a local power supply.

### Example of architecture with ASTRO Manager unit for managing the diagnostic functions and/or the emergency calls.



**Configuration - Terminal**

General Properties Memory Relay 1 Relay 2

**Identification**

Name: Tasvox-3334

Number: 3334

Speaker volume: 6

Microphone volume: 6

Mic. attenuation: 1

Balance sensibility: 7

Ringer

Volume: 1

Ringer: Melody 6 - three tones

Ring number waiting for the line: 1

Warning: selecting the number of rings to zero, the 'listen' function is enabled: the loud speaker of terminal is disabled, the terminal when called enables the listening silently.

Enable silent diagnostic

Warning: the "silent diagnostic" mode disable microphone and speaker when the terminal is called by CTS or by another terminal. If you want to use the terminal also to call it, be careful.

OK Cancel Apply Apply to all

**Diagnostic - Terminal**

Diagnostic Historic General Maintenance Statistics Terminal

**Identification**

Name: Tasvox-3334

Number: 3334

**Alarms**

Alarm	Alarm id	Begins >>	Det
No active alarms			

**Execute Active diagnostic**

Last executed diagnostic test date: Diagnostic never executed

Execute a complete diagnostic hand-test

Execute a functional test on speaker and microphone

Check the terminal CRC values against the database stored CRC values

For automatic diagnostic test on this terminal:

Insert terminal in the batch testing cycle

OK Cancel Apply

**Configuration - Terminal**

General Properties Memory Relay 1 Relay 2

**Keyboard**

Button press time (sec.)

to take the line (sec.) 0

to hook the line (sec.) 2

Flashing time (dsec.) 10

Composition: DTMF

**Mode**

Automatic repetition of last number after hang-up

No hang-up with busy signal

Press button in B/C mode

Multifrequency mode (BABT)

**Hang up**

Automatic hang-up  min. 4

Automatic hang-up after silence  sec. 30

Min. Frequency to understand the busy signal (Hz) 30

Max. Frequency to understand the busy signal (Hz) 50

Min. Duration of recognition of busy signal (msec) 20

Max. Duration of recognition of busy signal (msec) 81

Terminal password: 1122 Digicode Terminal password:

OK Cancel Apply Apply to all

I dati riportati in questa pubblicazione non sono impegnativi e possono venire modificati senza preavviso. The information contained in this publication are not binding and are subject to change without notice.