

DSP25EExmN(T)

Explosion-proof 25W loudspeaker

AC4905/0901

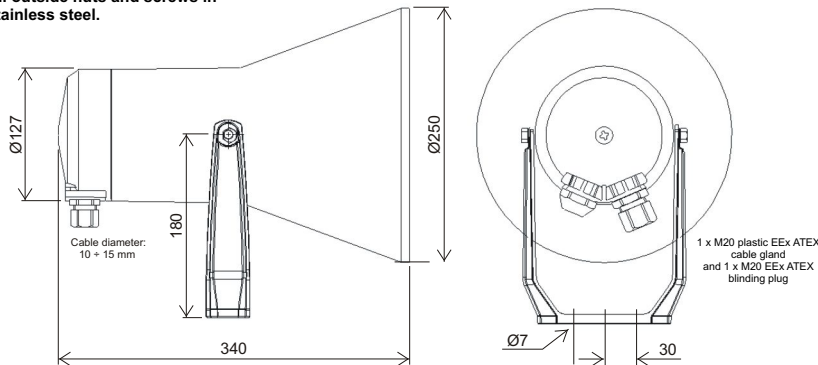
v1-0211

Installation, Operation and Maintenance Procedures

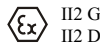
- When mounting the loudspeaker please ensure that it is re-assembled in the same manner in which it was received.
- To change the position of the loudspeaker please adjust the bracket (by loosening / tightening the screws) as required.
- For optimum performance, always use the correct voltage / power and operate within the frequency limits as stated.
- Use only certified/specified cable glands and blinding plugs.
- Do not open loudspeaker when energized.
- The loudspeaker should be checked on a regular basis to avoid any build up of debris.
- Fasten lid with a torque of 2 - 3 Nm.
- This loudspeaker is supplied with a 2 year warranty against defective workmanship.



All outside nuts and screws in stainless steel.



Certificato da: NEMKO / Ex d e mb IIB+H₂ / IIC T5 Gb / 10 ATEX 1053
 Certificato da: NEMKO / Ex tb IIIC T89°C / 10 ATEX 1053



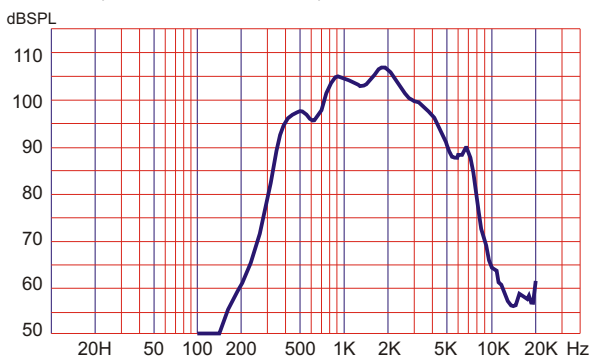
Most of our products are available in different colors, impedances and power ratings.

Transformer:
100 Volt line

Primary nominal tapings:

1 : 2	25,0 W
2 : 3	12,5 W
3 : 4	6,0 W
1 : 3	4,0 W
2 : 4	2,0 W
1 : 4	1,0 W

Sound pressure levels at different frequencies at 1W/1m sine wave



Material / Colour	Anti-static polyamide / black
Mounting	Bracket
Termination	e-chamber, screw terminals
Weight	4,0 kg
IP-rating	66
Max. / min. amb. temp	55°C / -53°C
Standard version	100 V transformer
Rated / max. power	25 W / 25 W
SPL 1W/1m	106 dB
SPL rated power	117 dB
Effective freq. range	370 ÷ 7000 Hz
Dispersion (-6dB) 1kHz / 4kHz	110° / 30°

IIB

IIC