

FITRE S.p.A. • Divisione DSI

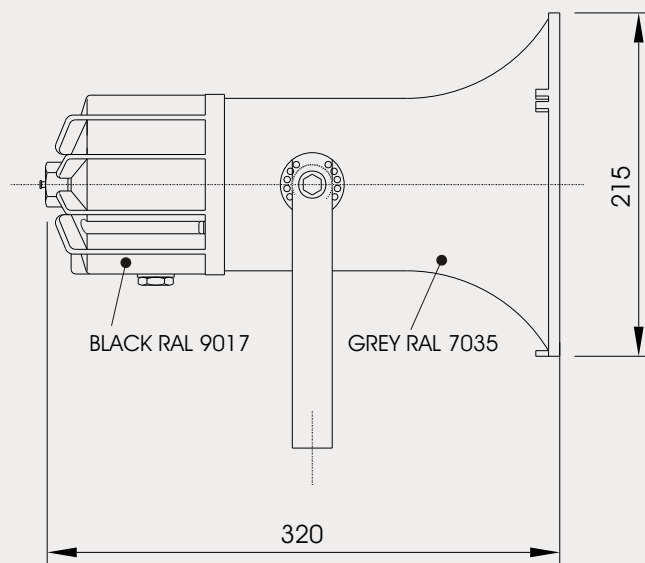
20142 Milano • Italia • via Valsolda, 15
 telefono: (+39) 02.8959.01 • telefax: (+39) 02.8959.0400
 e-mail: divisione.dsi@fitre.it

- Power rating of internal amplifier 25W
- Processed in die cast light alloy
- Built-in adjustable power from 0.76W to 25W
- Degree of Protection IP66
- Power supply 24 ÷ 48Vdc

The weatherproof horn loudspeaker XP11-24/48 made of die cast aluminium has an IP rating of 66 in accordance with the standard IEC529 and includes an internal power amplifier. Dip switches are used for adjusting the volume levels and are accessible by means of a suitable weatherproof inset protected by a loss proof plug. The amplifier is placed in a weatherproof casing (IP66) which is suitable for outdoor use. The magnetodynamic unit permits excellent frequency response (in the range 350÷15kHz) and an operating power of 25W (30W maximum). The horn is fitted with fixing brackets and a hindrance device that blocks changes in the selected inclination in cases of impacts or vibrations. The power amplifier is incorporated in the back of the speaker unit and utilises special components capable of supporting high temperatures. Its circuit is covered by a patent. The amplifier is equipped with protection against transients in both the power supply and audio inputs. The audio inputs are a high impedance balanced differential type and use a transformer to ensure galvanic separation between the line and the actual amplifier. Furthermore all the electrical parts (inputs, outputs and power supply) are insulated from the external metallic parts. A particular active filter with a variable bandwidth in function of the volume levels blocks high values that would otherwise damage the mobile equipment in the presence of high energy at low frequencies. Rather, at low values the bandwidth is broadened thus ensuring excellent sound quality reproduction, especially in a medium dimension ambient. The amplifier is made of a circuit that helps avoid transients on the speaker when switched on or off. Furthermore there is total thermal protection with an automatically timed reactivation circuit and for protection of the internal circuits blade type rapid fuses are used.

XP11/24-48

AMPLIFIED WEATHER-PROOF
 LOUDSPEAKER

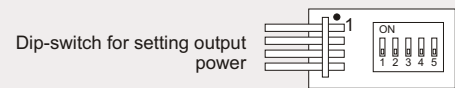


ELECTRICAL SPECIFICATIONS OF AMPLIFIER

AmplifierSwitching in Class "D"
 Range of the rated Power supply.....from 24 to 48Vdc
 Operating limits from 24V-15% to 48V +20% (20.8+57.6Vdc)
 Consumption at quiescence, Vps=24V≤45mA
 at quiescence, Vps=48V≤25mA
 at nominal power, Vps=24V≤1.4A
 at nominal power, Vps=48V≤0.7A
 Nominal sensibility0dB (0.775Vrms)±0.2dB
 Nominal input impedance≥10kohm
 Signal to Noise ratio≥90dB
 Bandwidth at nominal power, -1dB400Hz + > 10kHz
 at nominal power, -3dB300Hz + > 10kHz
 Nominal output power, rms, dc (f=400+10kHz).....25W
 Maximum distortion at nominal power and band
 with Vps=24V≤1.95%
 with Vps=48V≤1.4%
 Climatic operating conditions in range of nominal voltages
 (sinusoidal input, Pmax) standard-25°C + +65°C
 in option-40°C + +65°C
 Protection against differential mode impulses
 in the power supply and signal inputs2kV - 1.2/50µs

SPEAKER SPECIFICATIONS

Operating Power.....25W
 Maximum Power.....30W
 Impedance at 1kHz.....8ohm
 Amplitude frequency response(see figure 2)
 Polar radiation diagram.....(see figure 3)
 Acoustic pressure at 1 m
 (measurements done with white noise).....≥124dBa ± 3dB
 Dielectric rigidity between mobile coil
 and external metallic parts1kVac
 Mechanical Protection ratingIP66



SW1	SW2	SW3	SW4	SW5	OUT POWER
OFF	OFF	OFF	OFF	NOT USED	25W
ON	OFF	OFF	OFF		18W
OFF	ON	OFF	OFF		12,5W
ON	ON	OFF	OFF		10W
OFF	OFF	ON	OFF		6W
ON	OFF	ON	OFF		4,7W
OFF	ON	ON	OFF		4,2W
ON	ON	ON	OFF		3,4W
OFF	OFF	OFF	ON		1,63W
ON	OFF	OFF	ON		1,5W
OFF	ON	OFF	ON		1,31W
ON	ON	OFF	ON		1,2W
OFF	OFF	ON	ON		1W
ON	OFF	ON	ON		0,9W
OFF	ON	ON	ON		0,83W
ON	ON	ON	ON		0,76W

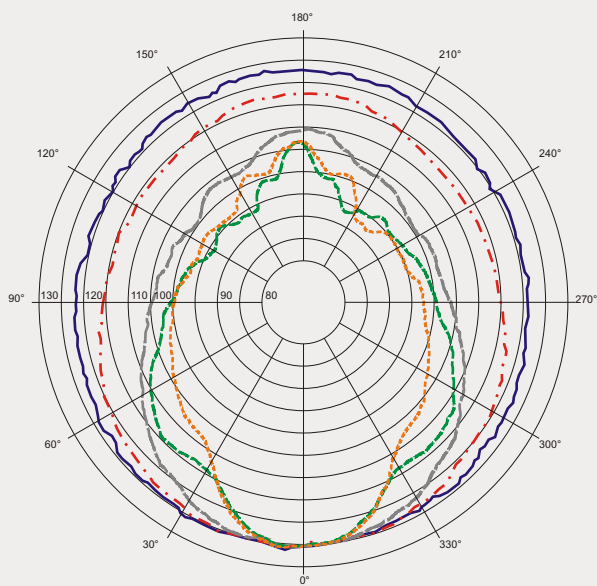


figure 3
POLAR DIAGRAM OF RADIATION

- 500 Hz
- - - 1000 Hz
- 2000 Hz
- - - 4000 Hz
- - - 6300 Hz

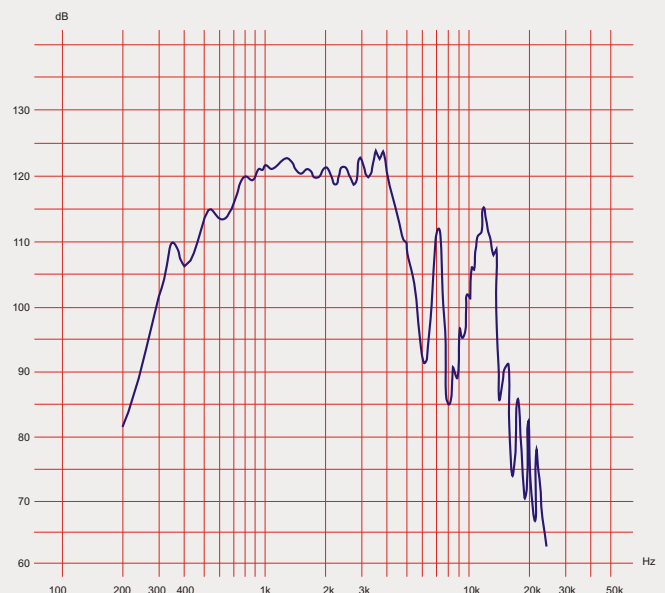


figure 2
AMPLITUDE-FREQUENCY RESPONSE DIAGRAM
Measurement of the nominal power taken on the
speaker axis 1 meter from the speaker cone

Description	Type	Code
Weatherproof amplified loudspeaker.....	XP11/24-48.....	7327325
Optional kit for plug connection with 2 input socket		7327327

I dati riportati in questa pubblicazione non sono impegnativi e possono venire modificati senza preavviso. The information contained in this publication are not binding and are subject to change without notice.