

DSP15 EExmN/(T)

IP67 explosionproof loudspeaker 15W/25W version

FITRE S.p.A. • Divisione DSI

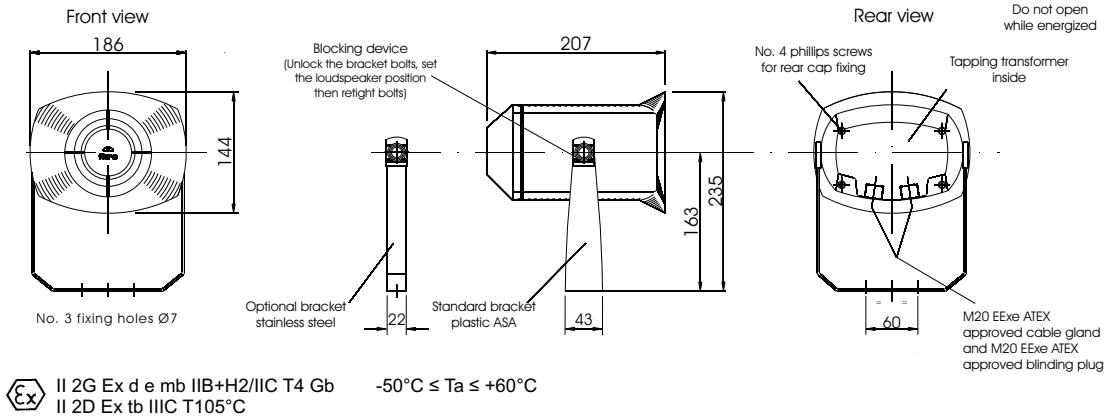
20142 Milano • Italia • via Valsolda, 15
telefono: (+39) 02.8959.01 • telefax: (+39) 02.8959.0400
e-mail: divisione.dsi@fitre.it

Installation, Operation and Maintenance Procedures

- When mounting the loudspeaker please ensure that it is re-assembled in the same manner in which it was received.
- To change the position of the loudspeaker, please adjust the bracket (by loosening / tightening the screws) as required.
- Use only certified/specified cable glands and blanking plugs, reflecting the same IP rating and temperature range as the loudspeaker.
- DSP15 EExmN(T) can be supplied with standard impedance 8 ohm (other impedances in option) or with 100V transformer.
- It can be supplied with different bracket systems, according to customer requirements.
- For optimum performance, always use the correct voltage / power and operate within the frequency limits as stated.
- Options: Impedances and labels.
- Use only certified/specified cable glands and blanking plugs.
- **WARNING** : Do not open loudspeaker when energized.
- Fasten lid with a torque of 2 - 3 Nm.
- This loudspeaker is supplied with a 2 year warranty against defective materials and workmanship.

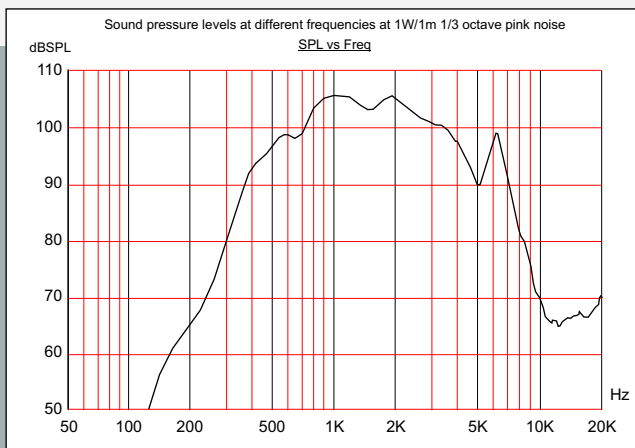


All outside nuts and screws in stainless steel.



Transformer 100V line
Primary nominal tapings:

1 : 2	25,0W
2 : 3	15,0W
3 : 4	6,5W
1 : 3	5,0W
2 : 4	2,5W
1 : 4	1,5W
1	= Red
2	= Yellow
3	= Green
4	= Blue



Material/Colour.....	IIB	II C
Mounting	Anti-static PA / Black	Bracket
Termination.....	e-chamber, push terminals	
Weight.....	2,2kg	
IP-rating66 / 67	
Min. / max. amb. temp.....	-50°C / +60°C	
Rated / max. power	25W / 30W	
SPL 1W/1m.....	105dB	102dB
SPL rated power 15W.....	116dB	113dB
SPL rated power 20W.....	117dB	115dB
SPL rated power 25W.....	118dB	116dB
Effective freq. range.....	.380+7000Hz	.450+6000Hz
Dispersion (-6dB) 1kHz / 4kHz.....	200°/50°	105°/35°
Directivity factor, Q(1kHz).....	1,8	

Model list

code

DSP15EExmN(T) IIB+H2 - 15/25W P.A.std.bracket7327929
DSP15EExmN(T) IIB+H2 - 15/25W steel bracket.....7327930