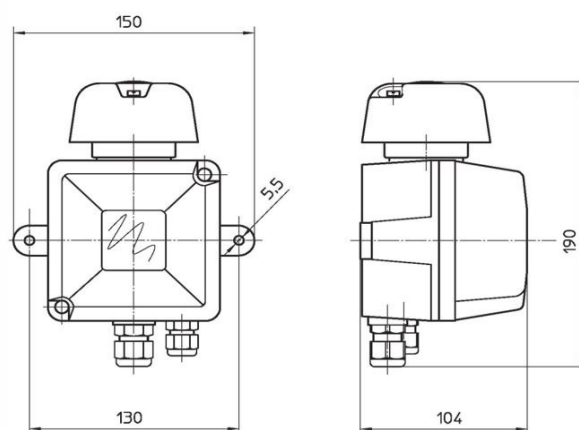


Telephone ringing bells • weather & explosion proof
P/N 7332912

Explosion-proof acoustic/luminous telephone ringer

- ATEX certification: II 2G Eex [ib] em IIC T6
- Approval: PTB 99 ATEX 2115
BZT: D 130 879 J
IECEX PTB 13.0048
- IP66 protection (according to IEC 60529)
- Die-cast aluminium, cap made of polycarbonate
- Operating mode: secondary telephone alarm or signal unit with call pause bridging for secondary alarm mode
- Telephone connection: W, Lb
30÷75VAC - 23÷54Hz / 0÷63VDC
- Operating time: ≤60 minutes at Ta = +60°C
≤15 minutes at 60Hz (afterwards 30 minutes of break)
- Acoustic signalling: only with 230VAC network
 - Signal alarm: loudspeaker
 - Signals: single-tone call / 2-tone call / 3-tone call
 - Volume: 90dB(A) at 1m distance
- Optical signalling: only with 230VAC network
 - Light source: 2 flash tubes, ca. 0,9J
 - Flash frequency: 1÷2Hz
- Power supply connection: L1, N, PE (PE at housing)
230VAC, -15% +10% / 50÷60Hz
- External fuse required: 500mA (not included)
- Cable gland: 1x M20 x 1,5
- Cable diameter: 6-12mm (230VAC network) / 5-10mm (telephone network)
- Terminal capacity: up to 1,5mm², single and fine wire
- Red lamp


ACOUSTIC / LUMINOUS
WALL/CEILING MOUNTING
IP66
ATEX
- 20°C to + 40°C


dimensions (W x H x D) 150,0 x 190,0 x 104,0 mm
weight 1,5 kg

