

FITRE S.p.A. • Divisione DSI

20142 Milano • Italia • via Valsolda, 15
 telefono: (+39) 02.8959.01 • telefax: (+39) 02.8959.0400
 e-mail: divisione.dsi@fitre.it

- **Output power 20 W**
- **Cast light alloy housing**
- **Weather-proof protection IP65.**

The AP28/20 loudspeaker fully solves the problem of sound diffusion in industrial environments.

The horn is built in a weatherproof cast light alloy housing (IP65) that is suitable for outdoor using.

The magnetodynamic unit enables an excellent frequency response (350 ÷ 15000Hz) and has 20W output power (30 W max power).

The horn is supplied with a fixing stirrup to block the selected inclination. This will prevent horn rotations due to shocks and mechanical vibrations.

Available with or without transformer.

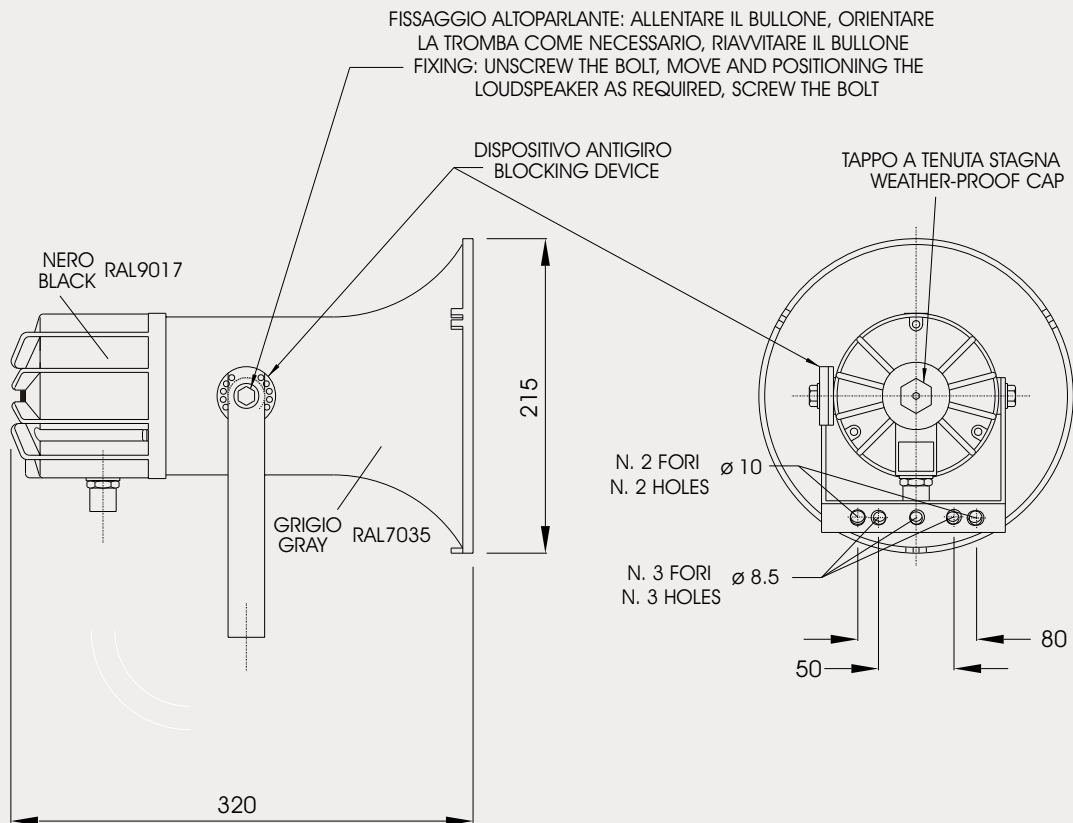
AP28/20 AP28/20T

WEATHERPROOF 20W LOUSPEAKER



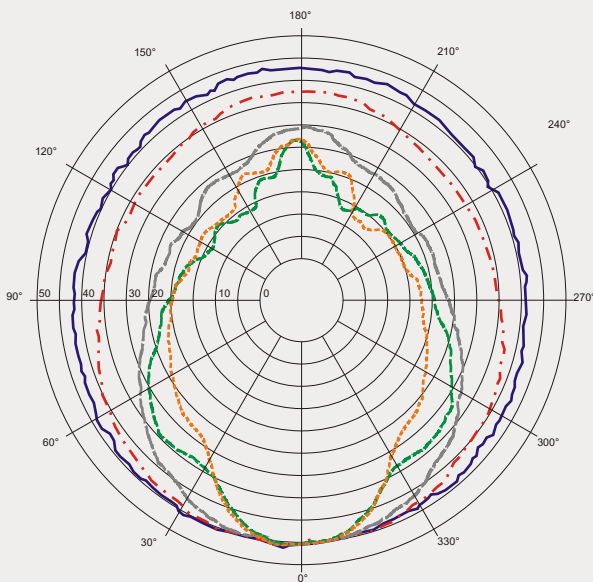
TECHNICAL DATA

Operating power	20 W
Max power	30 W
Input Impedance:	
AP28/20 without transformer	16 ohm
AP28/20T with transformer	see next page
Voltage input (only for AP28/20T)	50 - 100 V
Response	350 ÷ 15000 Hz
Cut-off frequency	350 Hz
SPL at 1m (measure effected with filtered rose noise at 1000 ÷ 3200Hz)	
1 Watt	108,5 dB
20 Watt	123 dB
Dielectric rigidity between mobile coil and external metallic parts	2 kVrms
Dimensions	
ø entrance	215 mm
depth	320 mm
Operating temperature	-40 ÷ +80°C
Weight	about 2,6 kg



Impedance/output power of the loudspeaker with transformer AP28/20T

Input voltage	50				100			
Output power in watts	2,5	5	10	20	2,5	5	10	20
Impedance in ohm	1k	500	250	120	4k	2k	1k	500


 fig.3
 POLAR DIAGRAM

- 500 Hz
- - - 1000 Hz
- 2000 Hz
- - - 4000 Hz
- - - 6300 Hz


 fig.2
 FREQUENCY DIAGRAM

Description	Type	Code
Weatherproof loudspeaker without transformer	AP28/20	7327218
Weatherproof loudspeaker with transformer	AP28/20T	7327217

I dati riportati in questa pubblicazione non sono impegnativi e possono venire modificati senza preavviso. The information contained in this publication are not binding and are subject to change without notice.