

Sound-powered phones for emergency communications
P/N 8319825

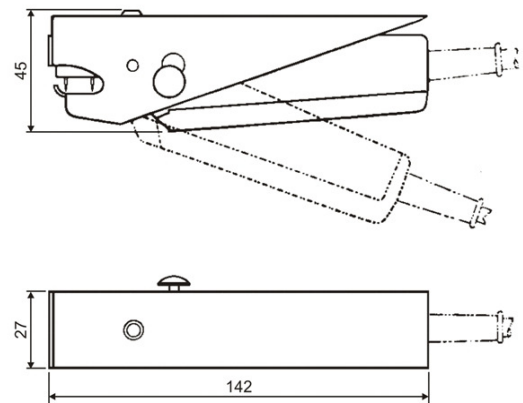
Clamp connector suitable for connecting any portable self-generating telephone or headset to the TS104 flexible PVC self-healing flat cable (P/N 8319826).

- Stainless steel
- 6x stainless steel pins ensuring a smooth contact with the cable conductors
- Connection cable: 1,5m to be soldered
- Lockable on cable
- Locking command

Accessory for all Sound-Powered and Portable Telephones



- 20°C to + 100°C



dimensions (W x H x D) 27,0 x 142,0 x 45,0 mm
 weight 400 g

