

AP14N(T)

Weatherproof loudspeaker
with or without transformer

FITRE S.p.A. • Divisione DSI

20142 Milano • Italia • via Valsolda, 15
telefono: (+39) 02.8959.01 • telefax: (+39) 02.8959.0400
e-mail: divisione.dsi@fitre.it

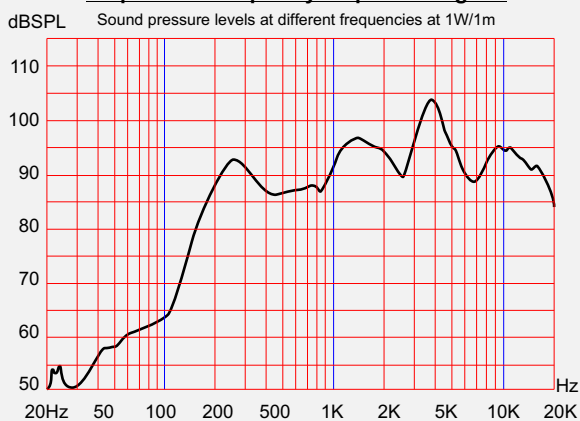
- **Manufactured in plastic case, IP55 protection for outdoor or indoor use**
- **Adjustment from 1W to 15W**
- **Impedance (without transformer) 8 ohm**

Loudspeaker specifications

Material / Colour	ABS V0 / RAL7035
Mounting	Bracket
Termination	Internal screw terminals
Input impedance (without transformer).....	8ohm
Weight (with transformer)	1,84kg
IP-rating	55
Min. / max. amb. temp	-40°C / +90°C
Rated/max. power.....	15W/20W
SPL 1W/1m.....	92dB
SPL rated power	104dB
Effective freq. range.....	150 to 20.000Hz

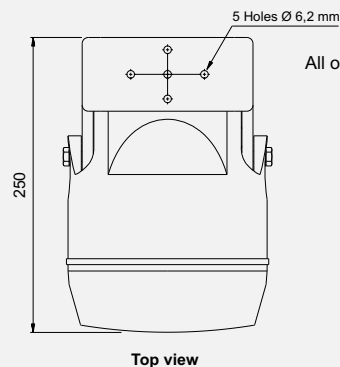
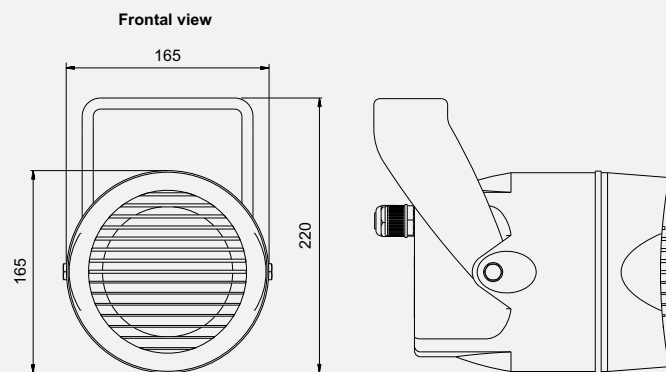


Amplitude - Frequency response diagram



Installation, Operation and Maintenance Procedures

- When mounting the loudspeaker please ensure that it is re-assembled in the same manner in which it was received.
- Fasten bracket with minimum 2 screws.
- To open the loudspeaker turn the front gently counter clockwise and pull.
- To close the loudspeaker, align the two marks on the front and rear parts, and turn the front gently clockwise till it stops.
- Use the attached stop screw to secure the front from undesirable opening during operation. (Optional)
- For optimum performance, always use the correct voltage/power and operate within the frequency limits as stated.
- Do not open loudspeaker when energized.
- This loudspeaker is supplied with a 2 year warranty against defective workmanship.



All outside nuts and acews in stainless steel

Transformer combined

70/100Volt line
White : Red100V
White : Green70V

Secondary nominal tapings

C : 15.....15,0W
C : 10.....10,0W
C : 5.....5,0W
C : 1.....1,0W