

### FITRE S.p.A. • Divisione DSI

20142 Milano • Italia • via Valsolda, 15  
telefono: (+39) 02.8959.01 • telefax: (+39) 02.8959.0400  
e-mail: info@fitre.it

AC8425/0906

### Telephone for indoor and outdoor use with protection door

- ▶ Protection degree IP 66 acc.to. IEC 60529
- ▶ Ambient temperature -25°C up to +55°C
- ▶ Protection door
- ▶ PIN for modifications of the settings
- ▶ Receiver can be boosted
- ▶ Connector for secondary call bell

### Application

The telephone **TAS27** is as stylish for indoor use as it is resistant for outdoor use in areas without explosive atmospheres.

The new **TAS27** is the ideal telephone for many different work areas seawater, high air humidity, dust and not exactly gentle mechanical stress are no problem for it.

Through the protection-door, the handset and keypad are always perfectly protected against contaminations.

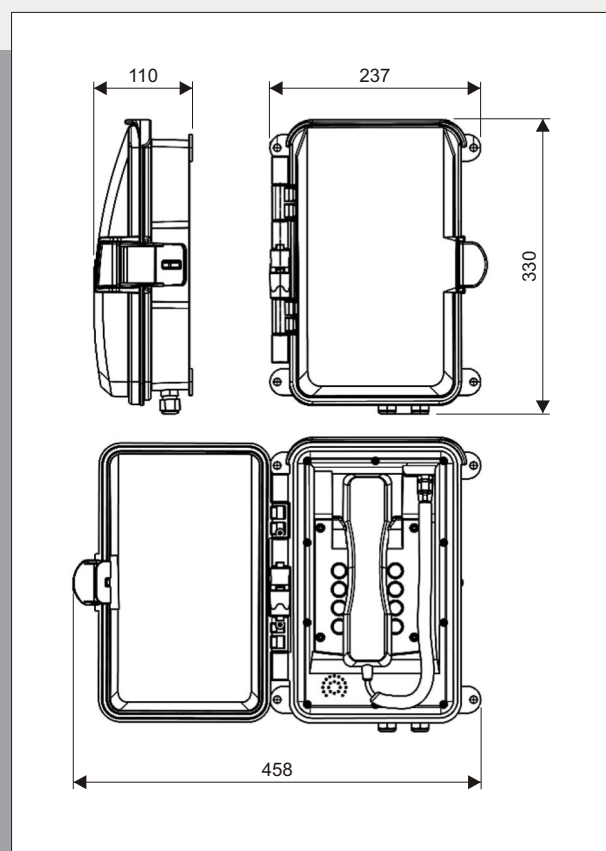
Its striking signal colour ensure the **TAS27** cannot be missed whenever a telephone is urgently needed.



The TAS27 the  
ideal telephone for many  
differential work areas.

## Technical specifications

|  |   |
|--|---|
| Supply voltage.....                        | 24 ... 66 Vdc   |
| Supply current.....                        | 19 ... 100 mA   |
| Ringng alternating current .....           | 30 ... 90 Vac   |
| Ringng frequency.....                      | 16 ... 68 Hz  |
| Sounder input impedance .....              | ≥6.0 kohm at 25 Hz<br>≥3.5 kohm at 50 Hz                                |
| Enquiry key (flash) .....                  | only for DTMF 80 ms,120 ms,600 ms                                       |
| Dialling procedure                         |   |
| DTMF.....                                  | Frequencies according to ITU-T Q.23<br>Tone duration unlimited or 90 ms |
| PD.....                                    | Pulse/Pause ratio<br>1.5:1 (60/40 ms)or<br>2:1 (66.7/33.3 ms)           |
| Ringng volume housing cover:               |   |
| open.....                                  | Approx.90 dB(A)at 1 m distance  |
| closed.....                                | Approx.65 dB(A)at 1 m distance  |
| Secondary telephone bell connector         |   |
| Housing .....                              | Polycarbonate   |
| Height x Width x Depth .....               | 330 x 237 x 110 mm  |
| Weight.....                                | 2.3 kg (Telephone incl.telephone bracket)                               |
| Operating utilization position.....        | Vertical wall mounting  |
| Receiver:                                  |   |
| Mouthpiece .....                           | electret-foil microphone  |
| Receiver inset.....                        | dynamic receiver  |
| Connections .....                          | single-or multiwired up to 2.5 mm <sup>2</sup>                          |
| Labelling:                                 |   |
| Power cable .....                          | TCP/La – TCP//Lb<br>(TCP:Terminal Connection Point)                     |
| Ambient operating temp. ....               | -25 °C ...+55 °C  |
| Transport and storage temp. ....           | -25 °C ...+70 °C  |
| Degree of protection acc.to IEC60529 ..... | IP 66 (closed door)   |
| Cable gland .....                          | 2x M16 x 1.5  |
| for cable diameters.....                   | 5 - 9 mm  |



| Designation                | Type  | Article |
|----------------------------|-------|---------|
| Weatherproof telephone set | TAS27 | 7132127 |